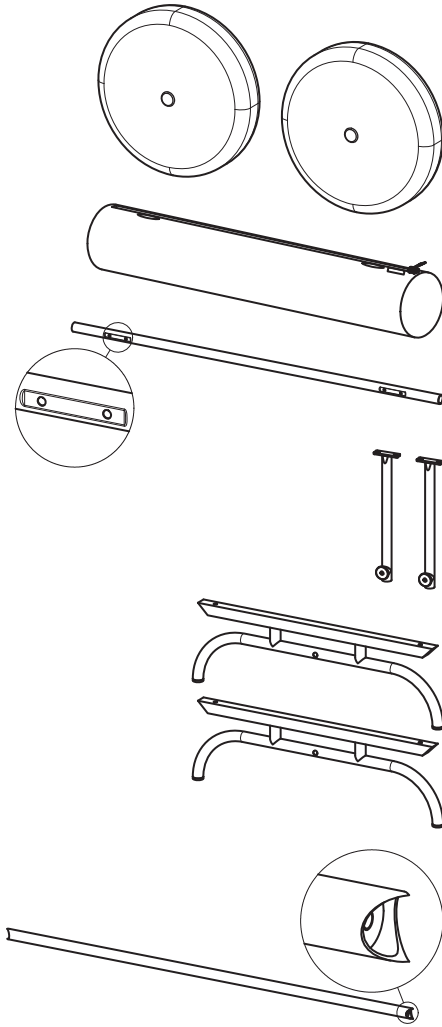
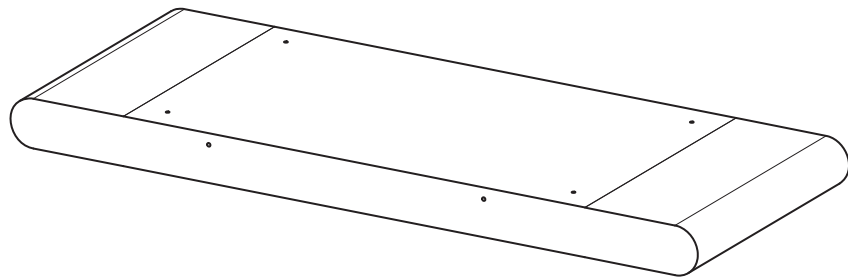




- ① x 4
- ② x 2
- ③ x 4
- ④ x 2
- ⑤ x 8
- ⑥ x 1



A x 1

B x 2

C x 1

D x 1

E x 2

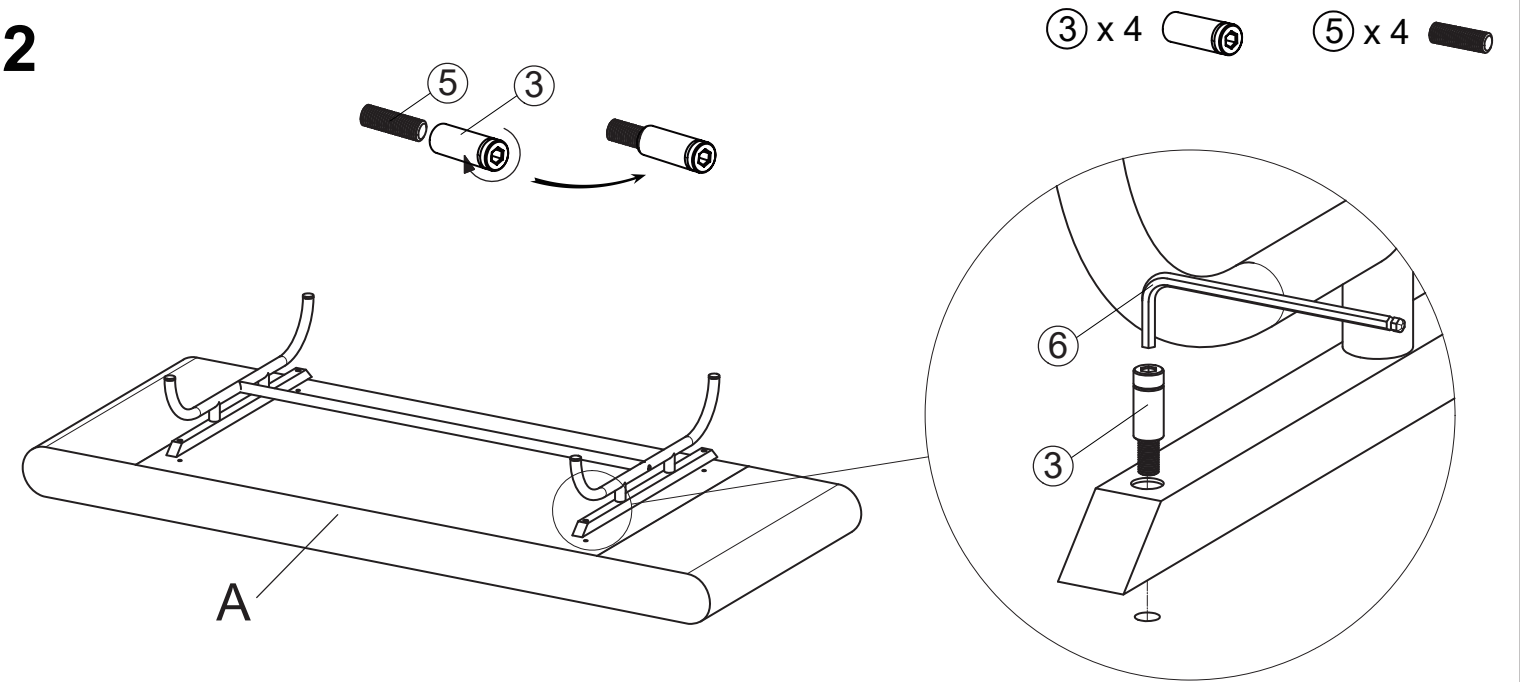
F x 2

G x 1



069870

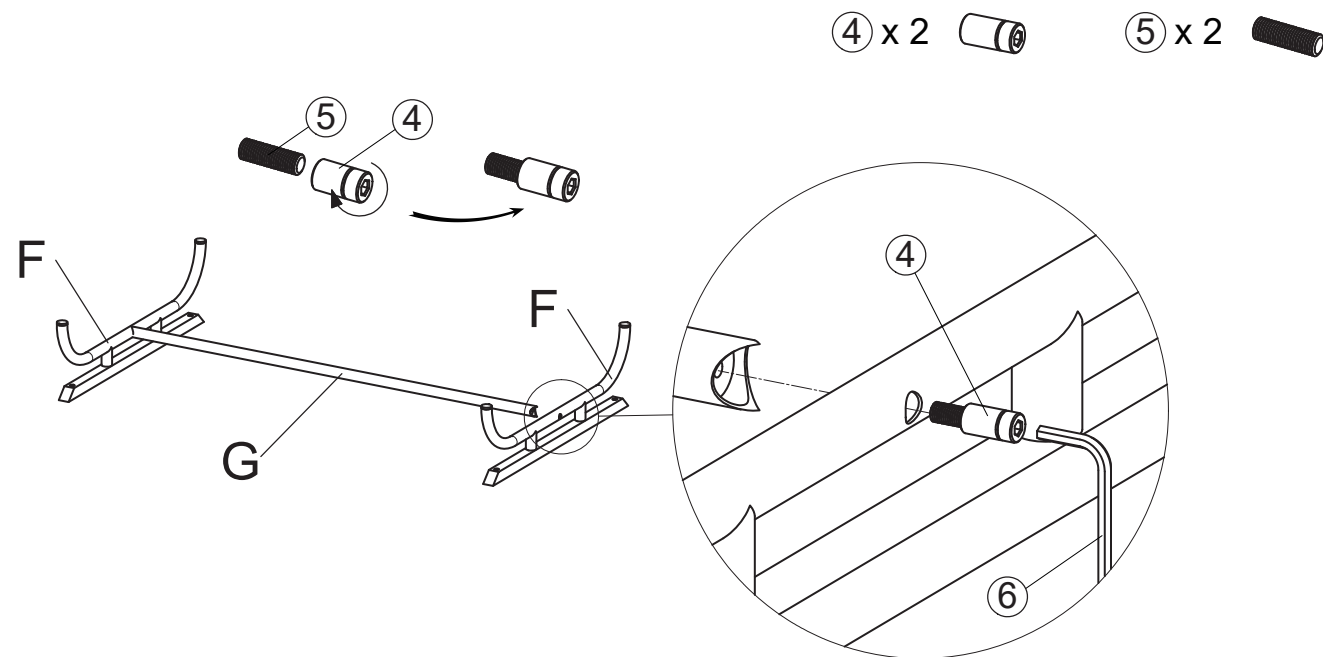
2



③ x 4

⑤ x 4

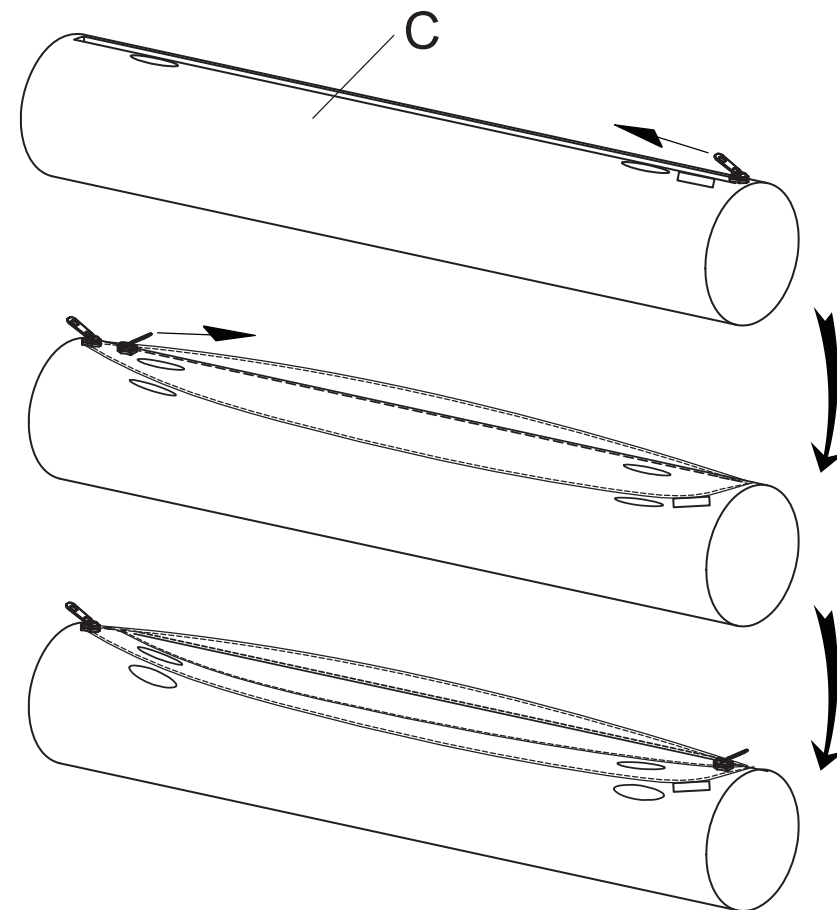
1




④ x 2

⑤ x 2

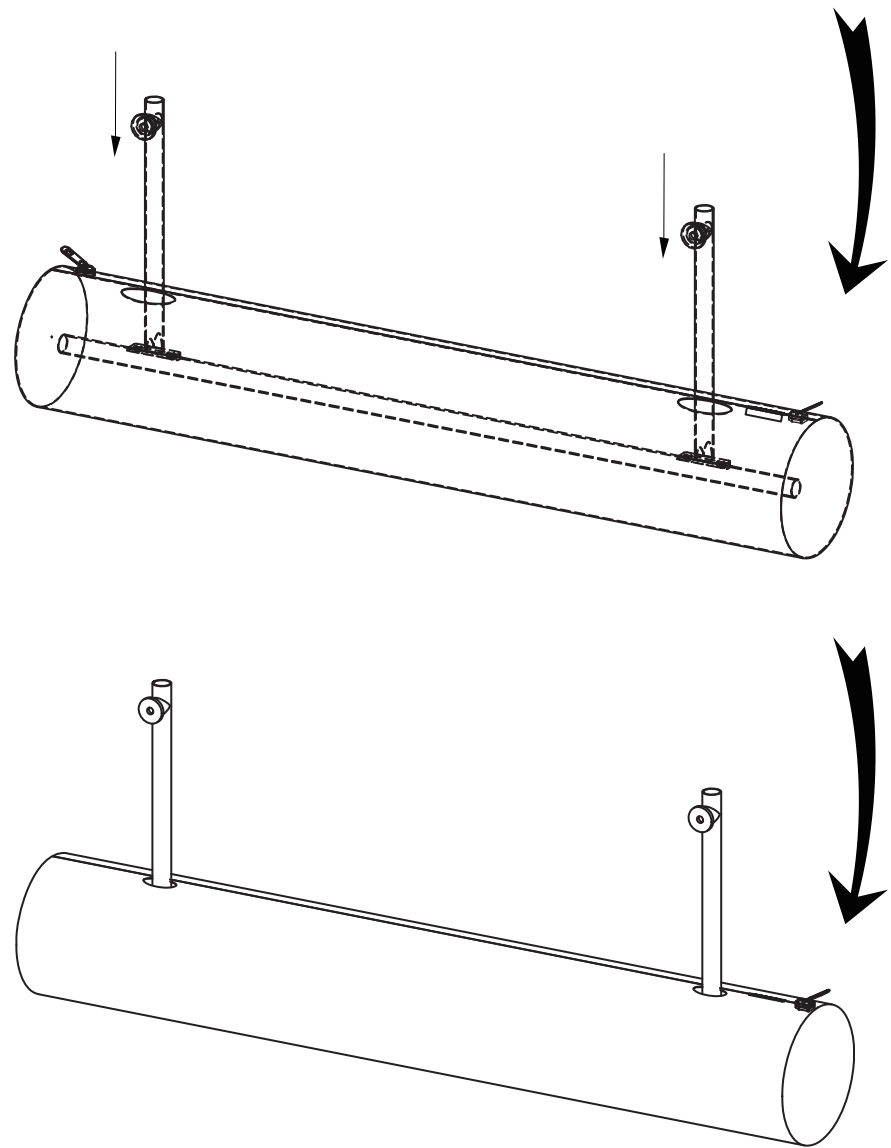
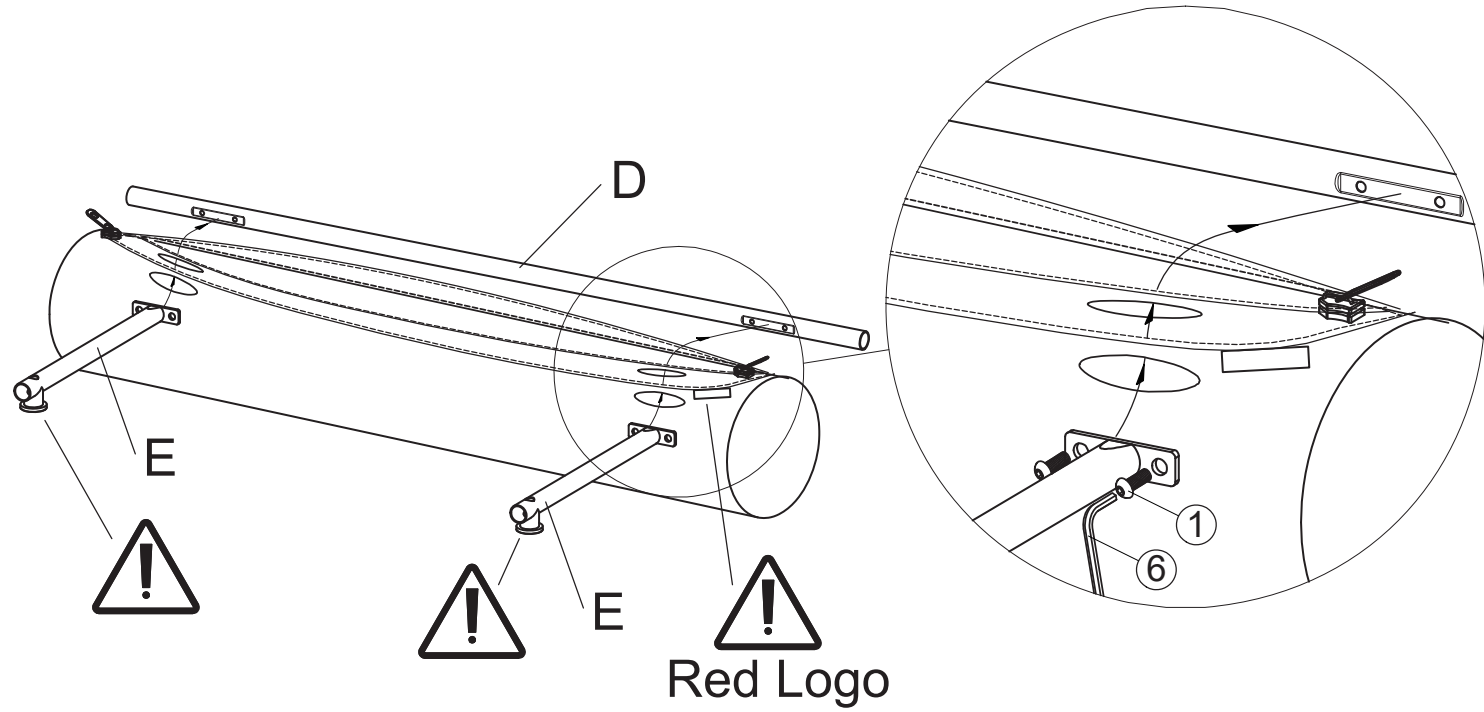
3



4

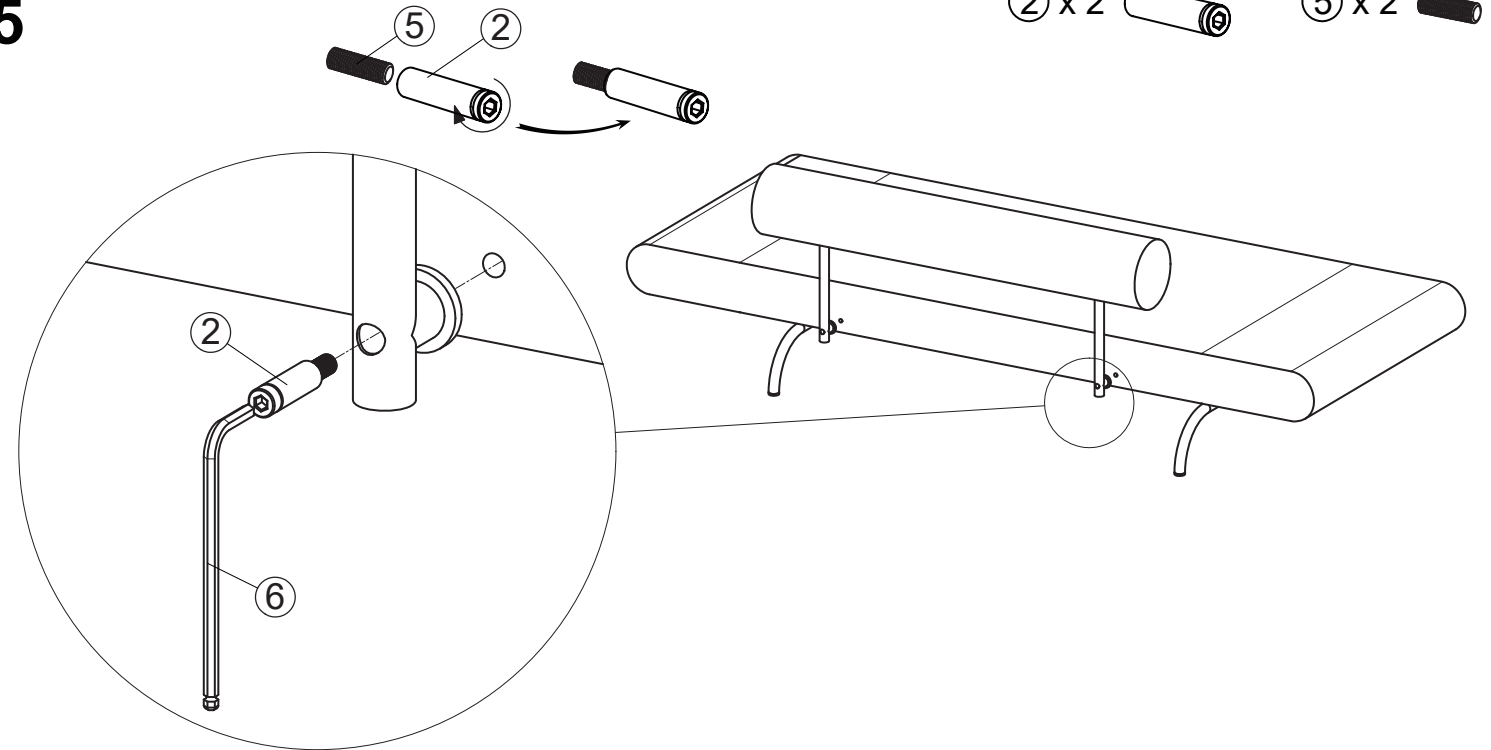
① x 4 

069870



5

② x 2  ⑤ x 2 



6

