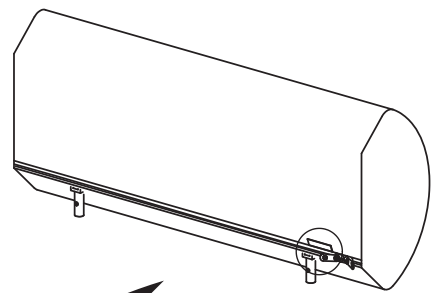
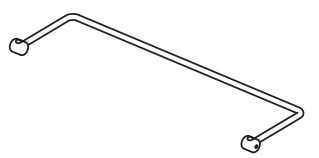


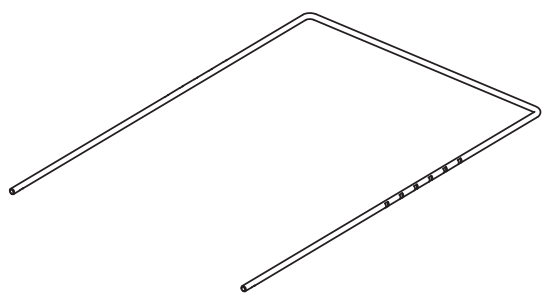
- ① x 2
- ② x 2
- ③ x 1



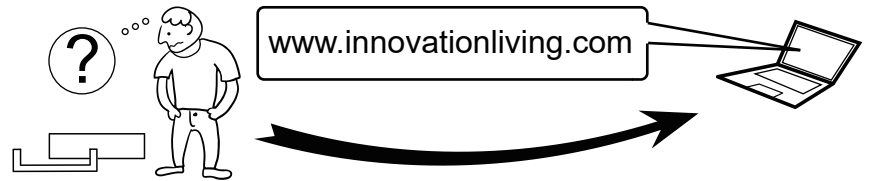
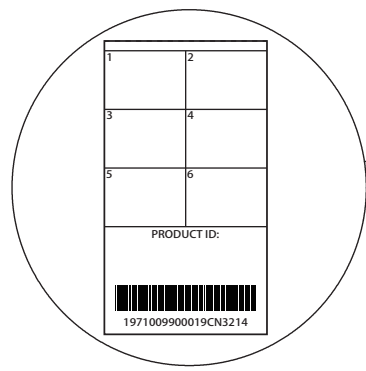
A x 1



B x 1

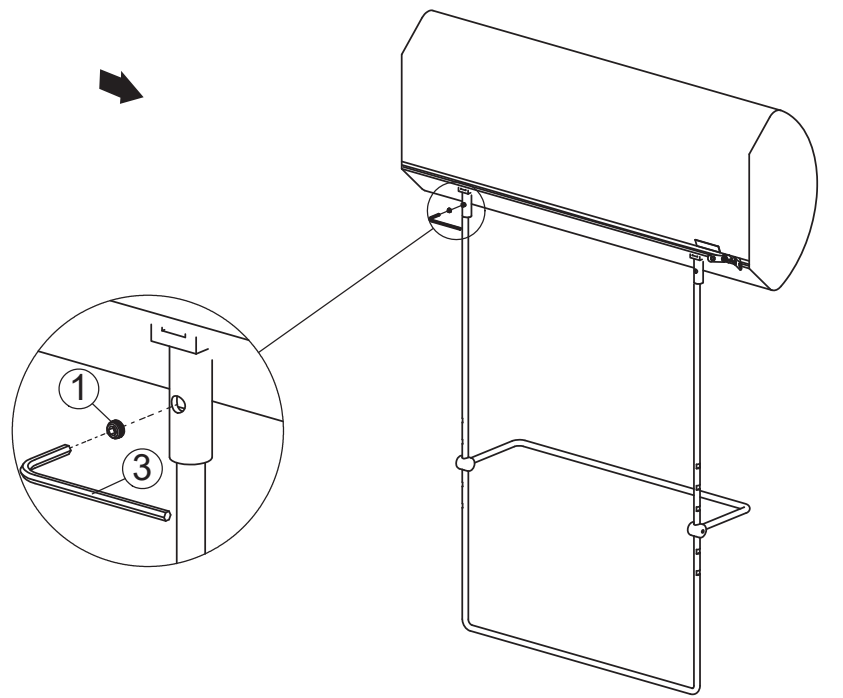
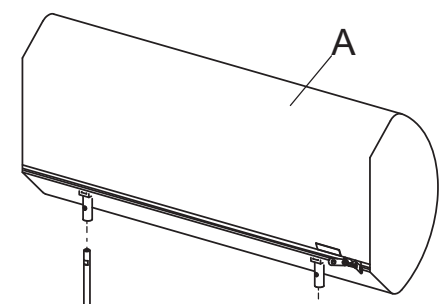


C x 1



2

- ① x 2



1

- ② x 2

