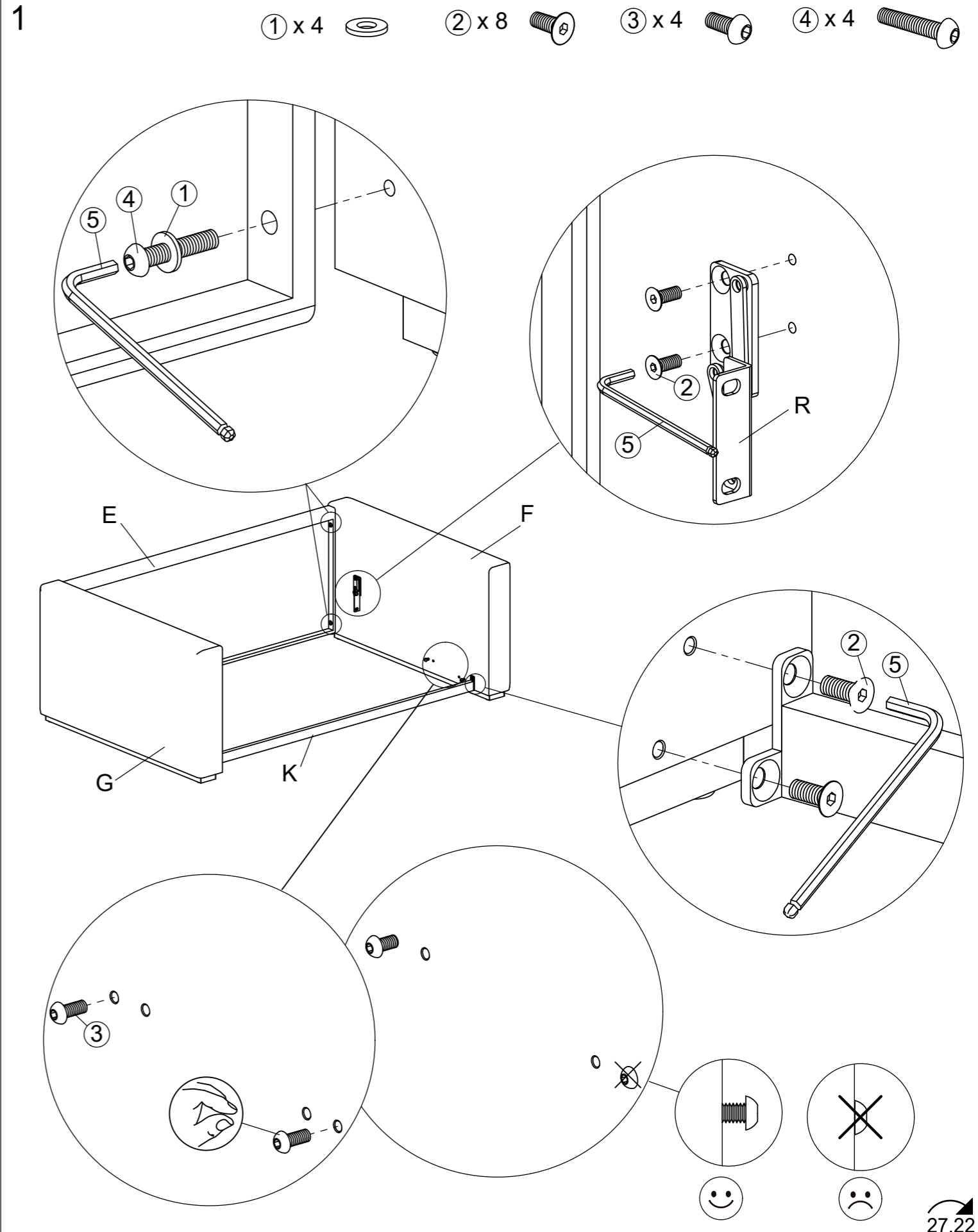
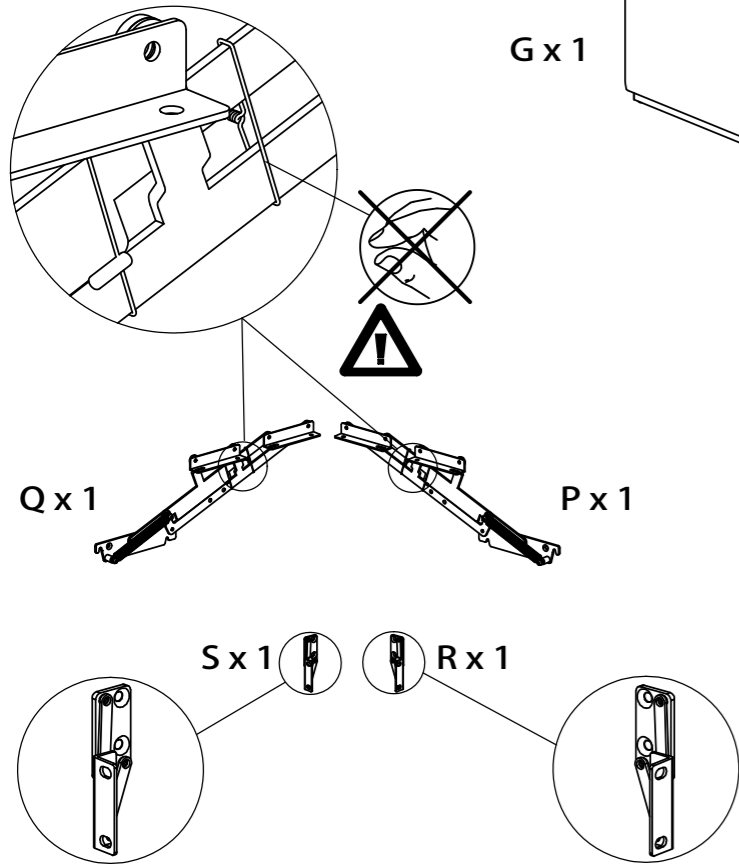
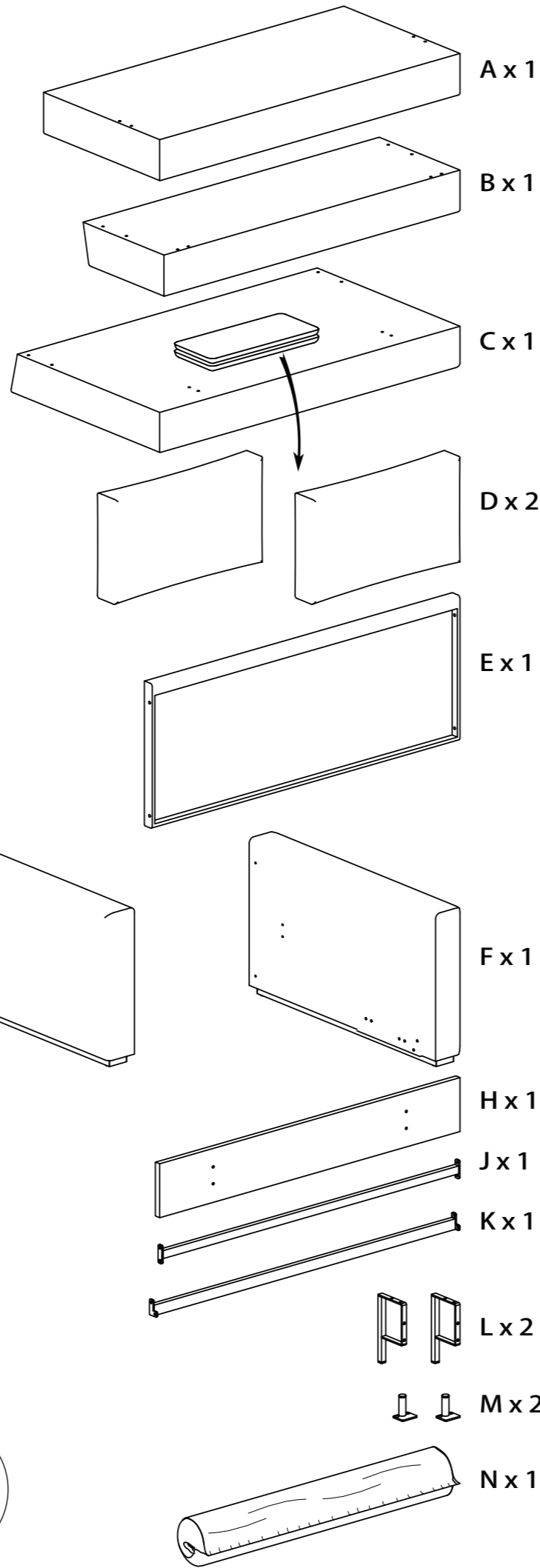
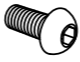


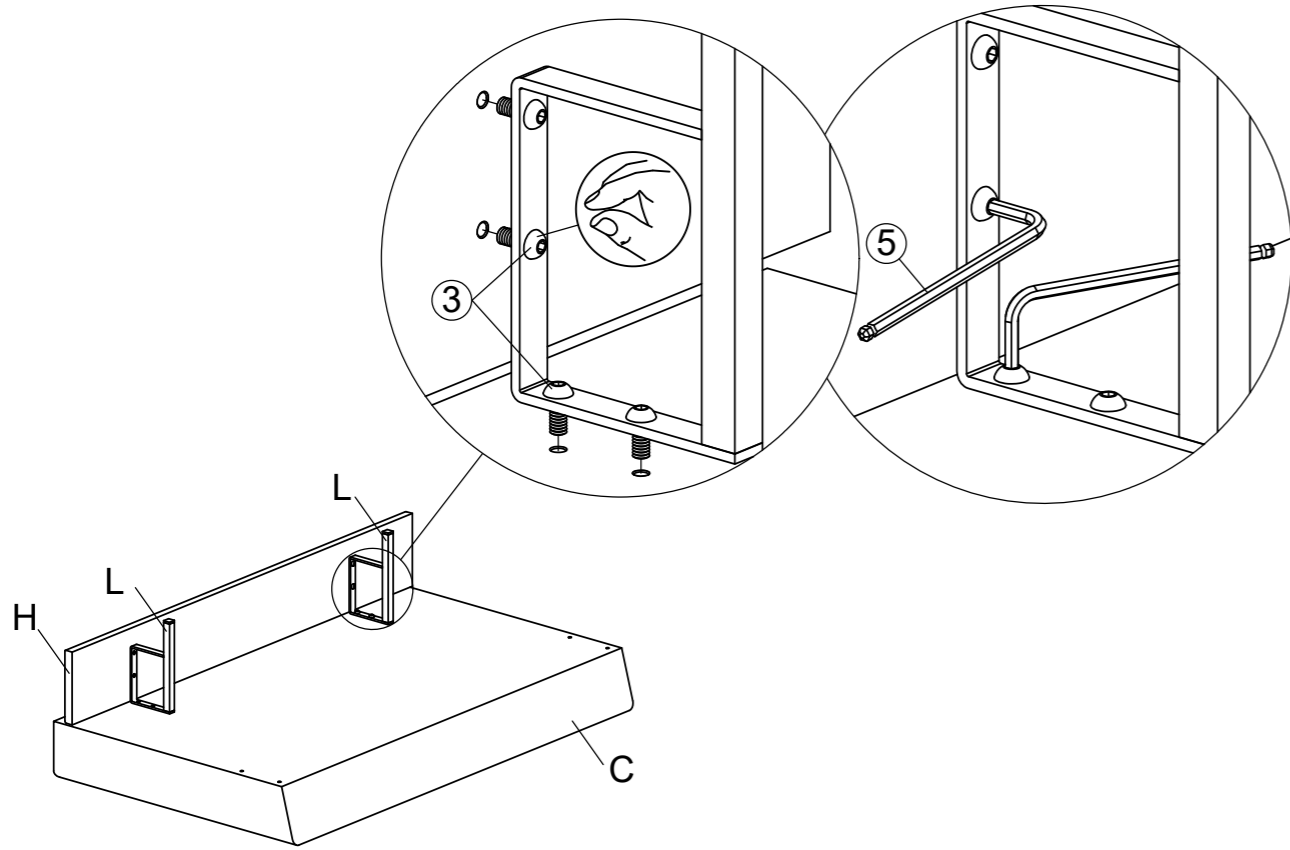


- ① x 4
- ② x 20
- ③ x 24
- ④ x 4
- ⑤ x 1
- ⑥ x 4



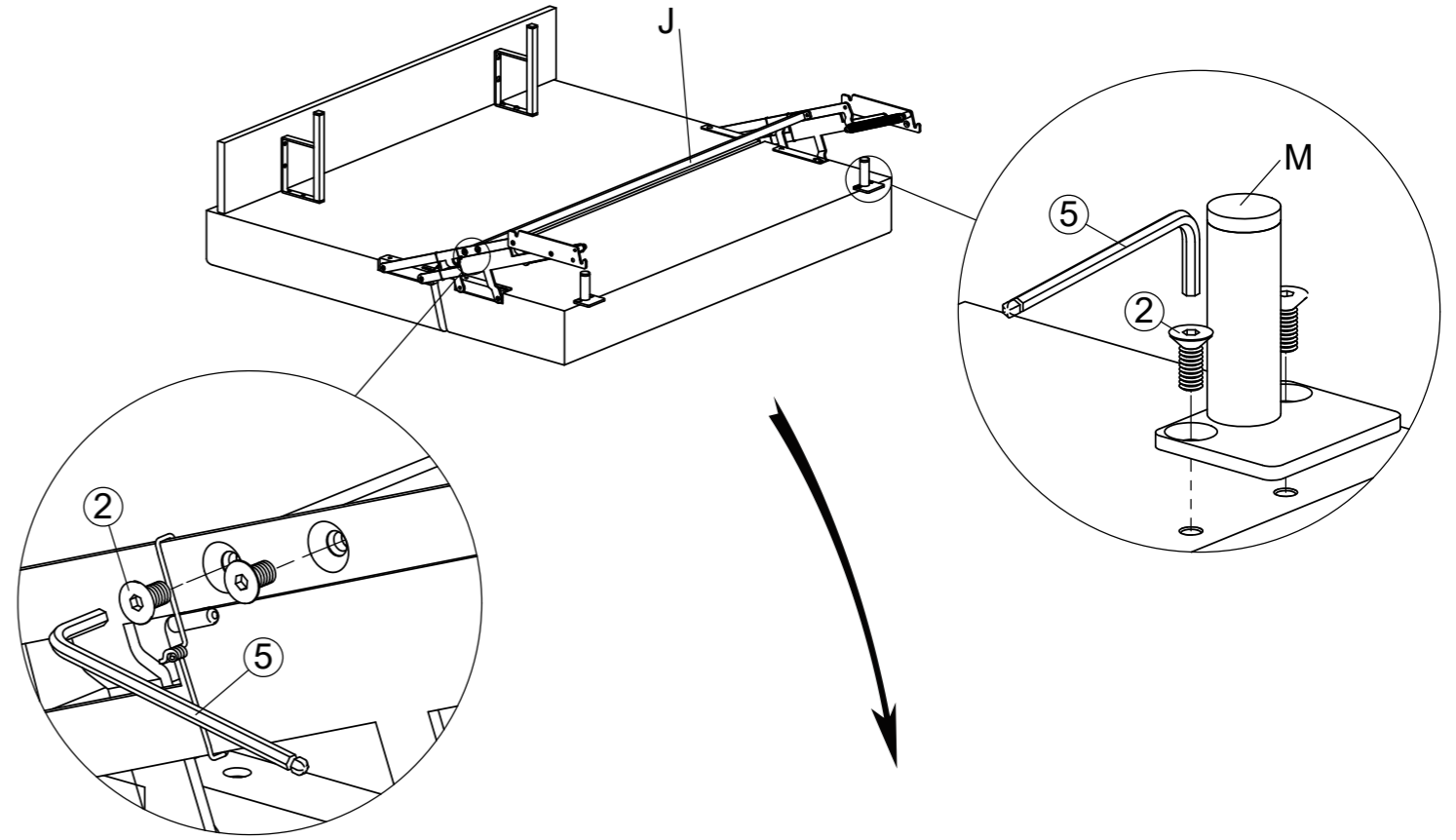
2

③ x 8 

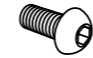


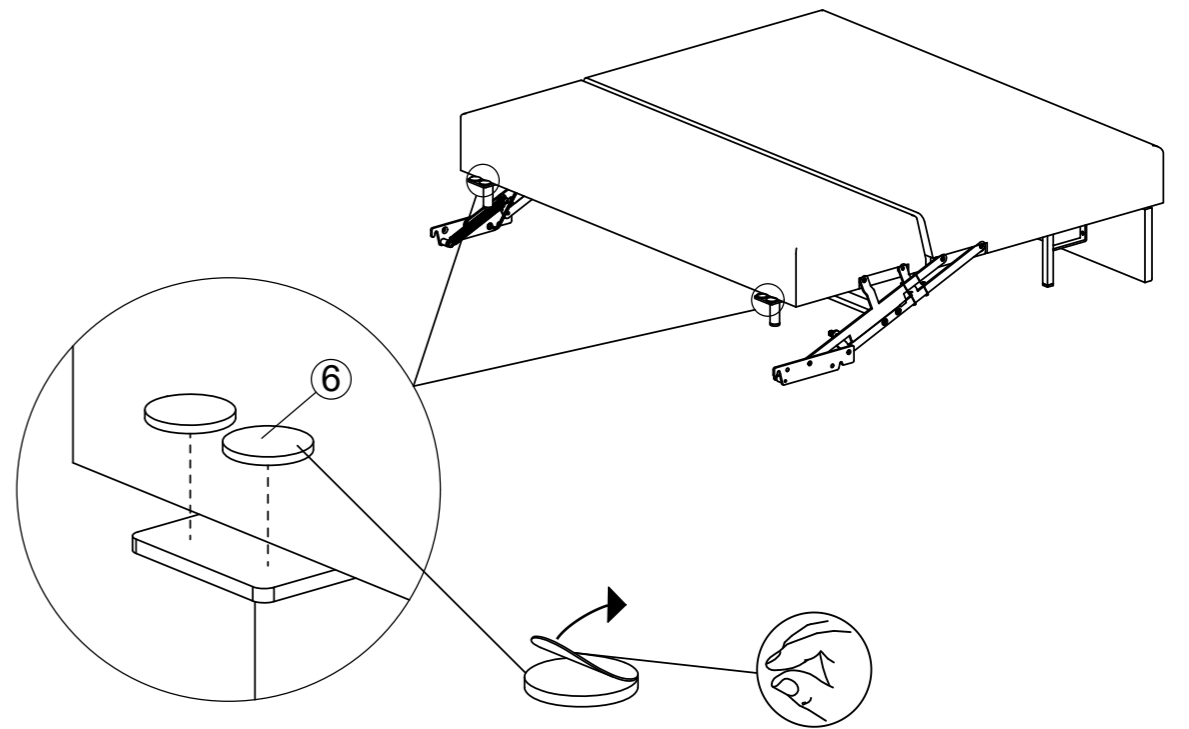
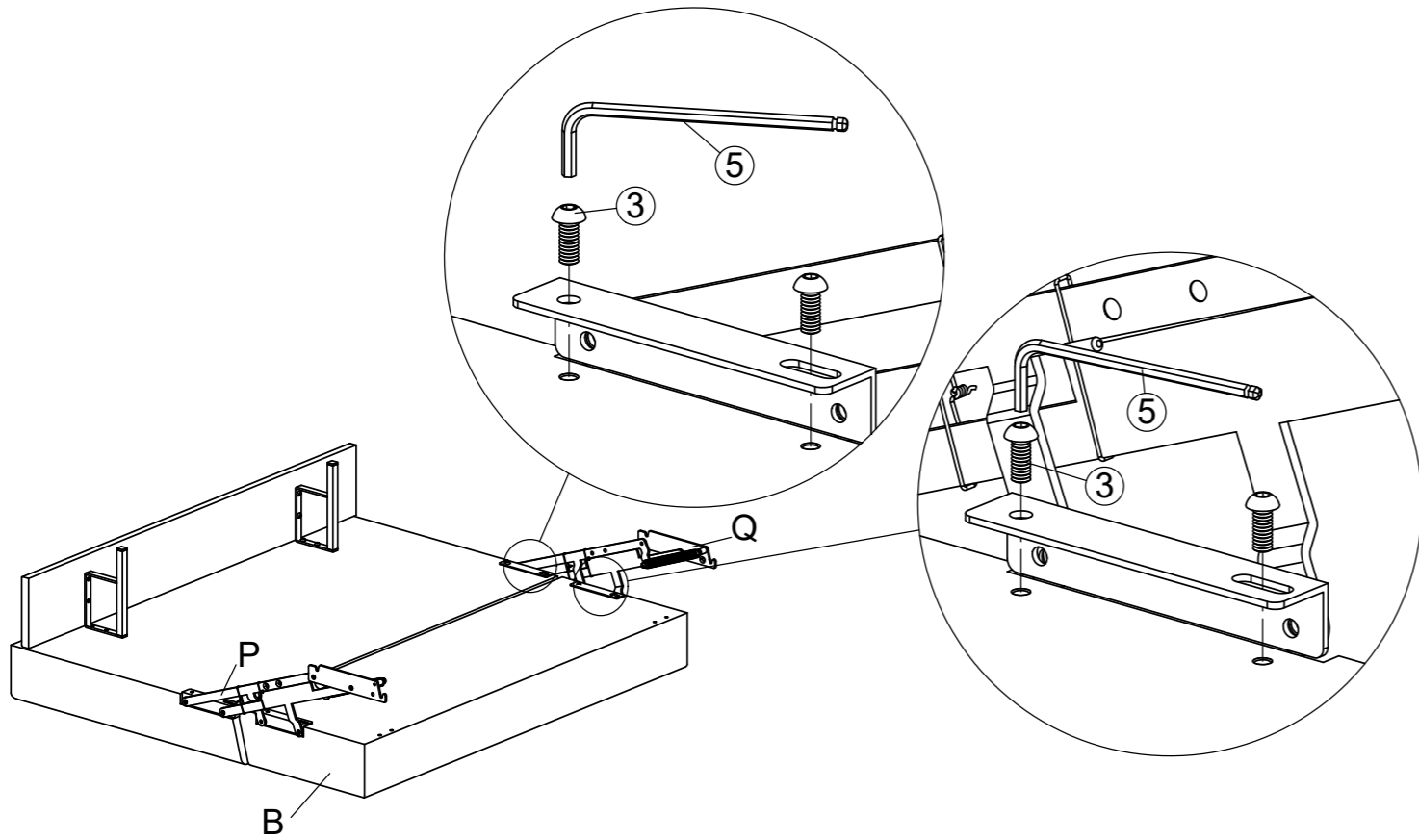
4

② x 8  ⑥ x 4 




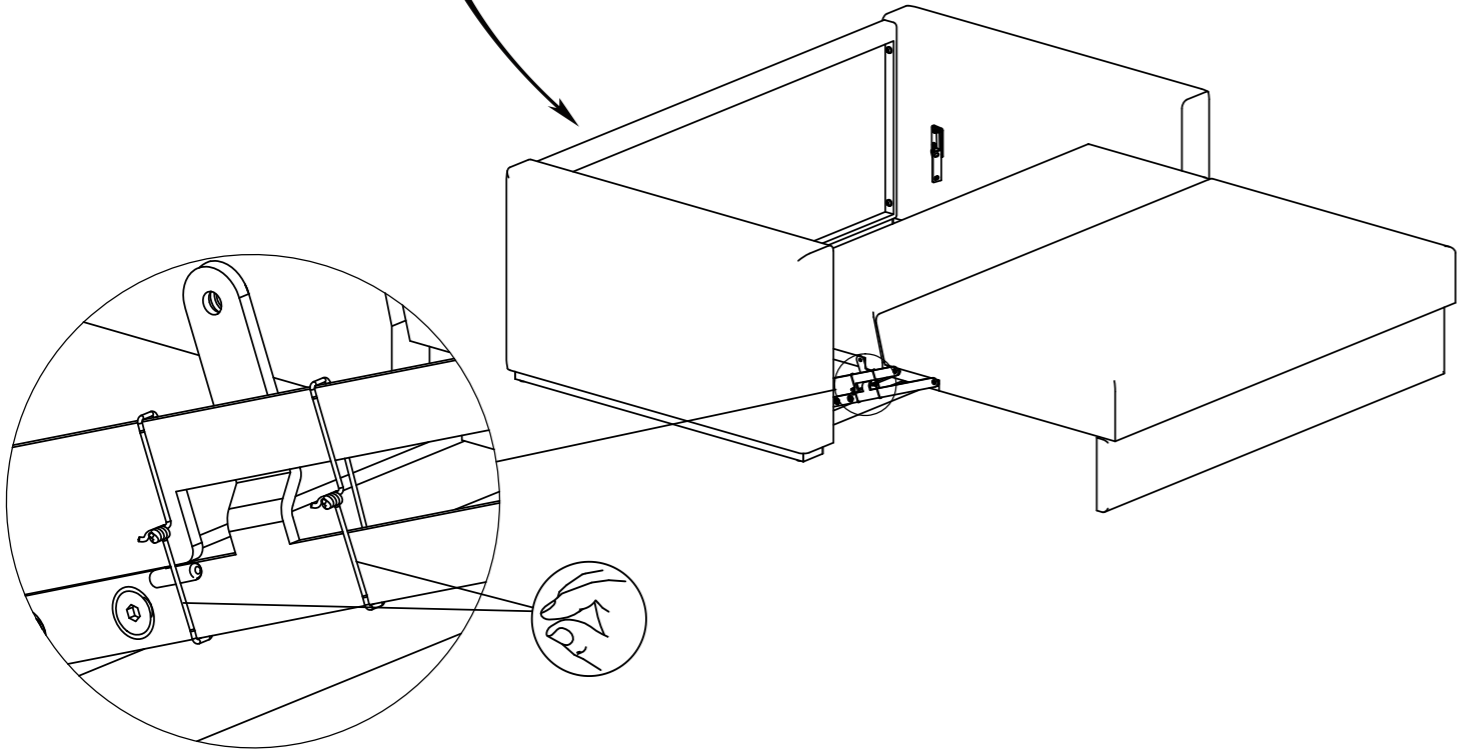
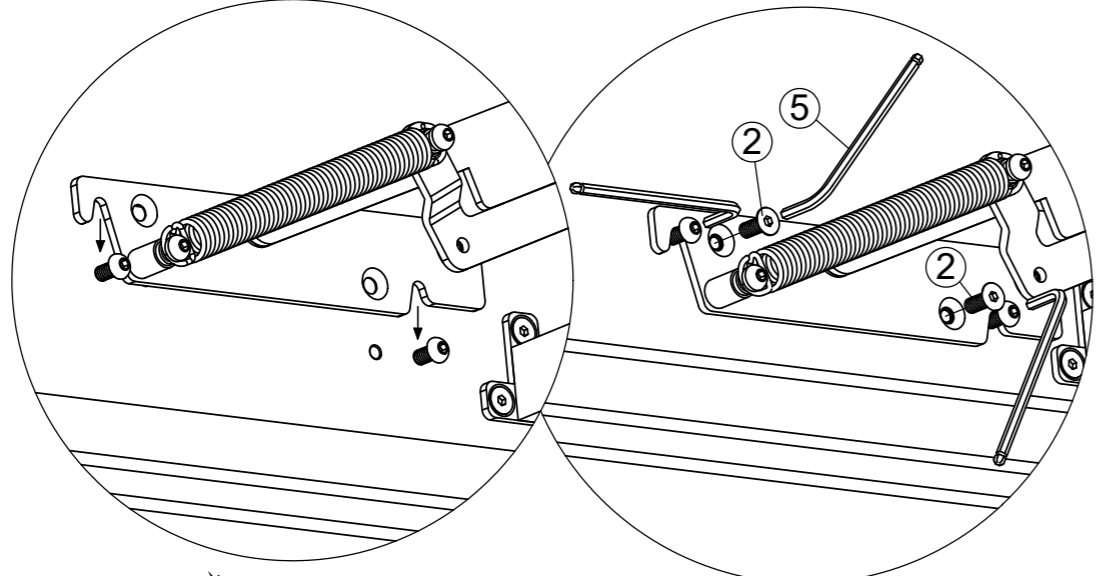
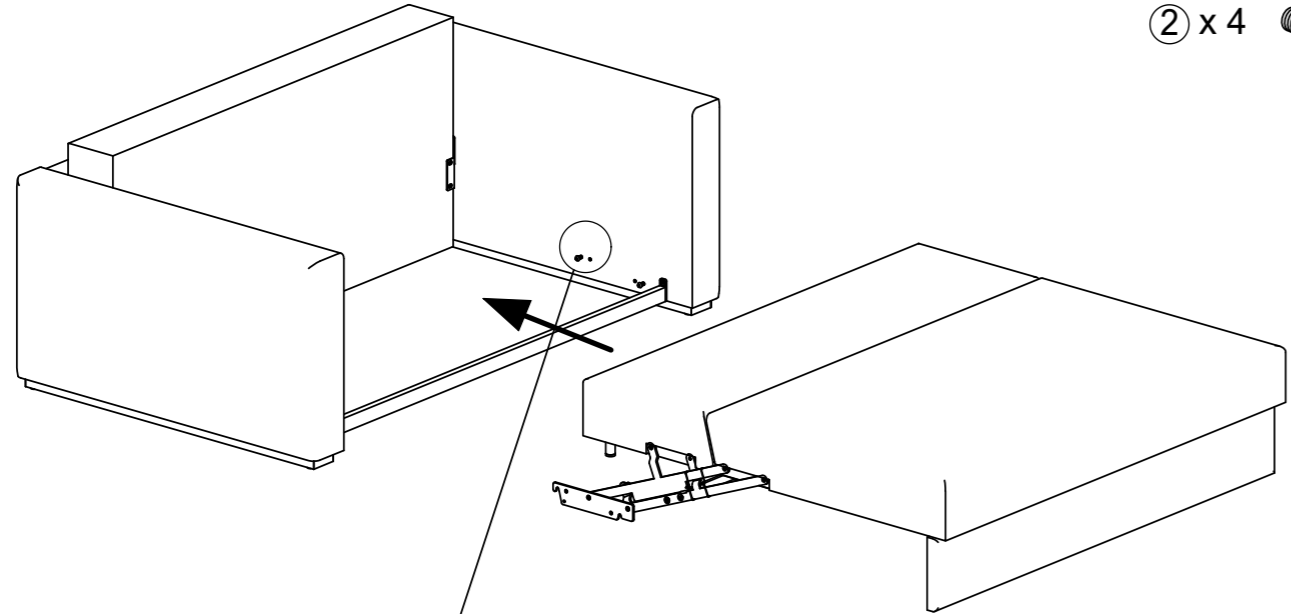
3

③ x 8 

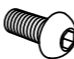


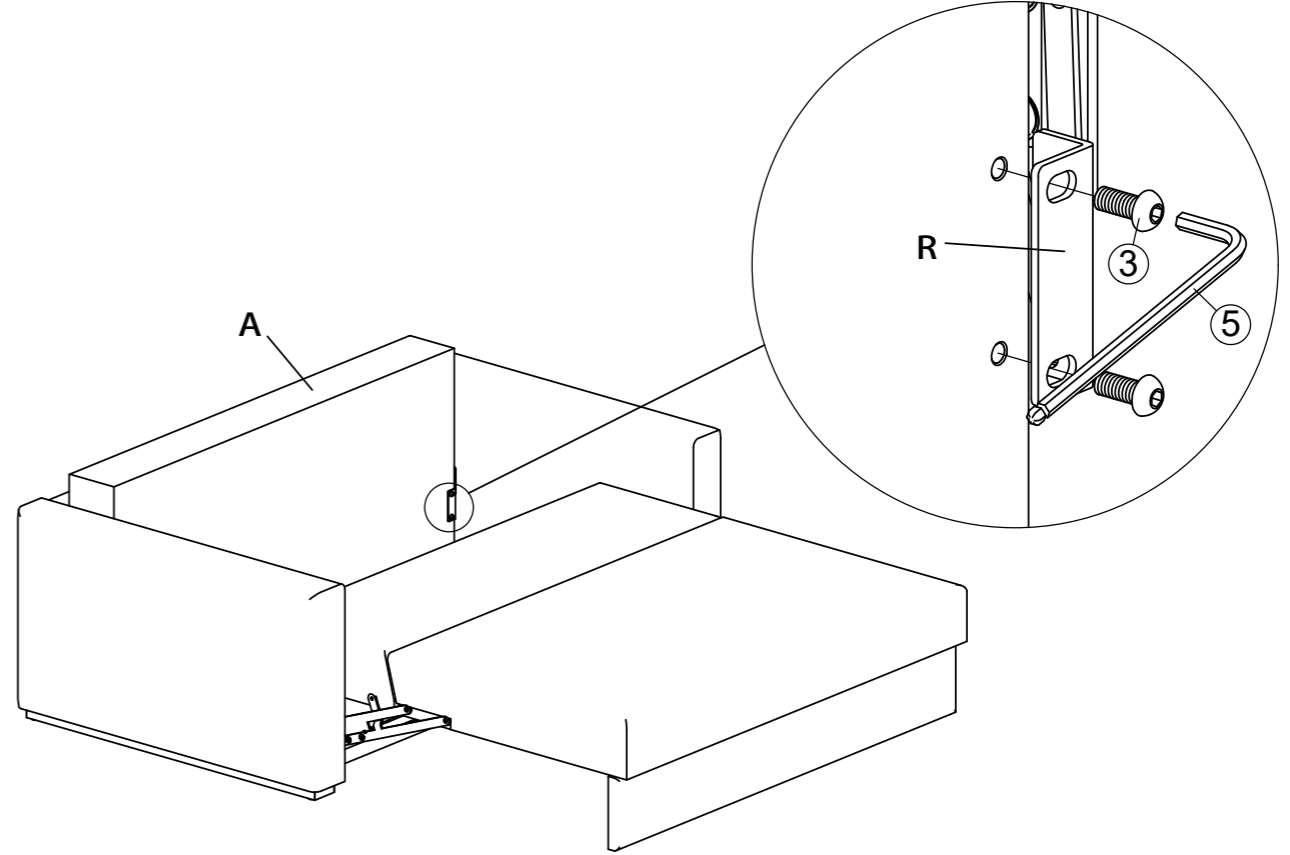
5

② x 4 



6

③ x 4 



7

